

SureTorque ST-H01 Series

Manual Cap Torque Analyzer ST-H01 Series

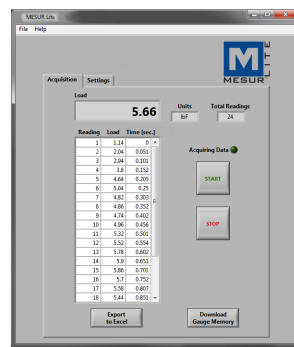


The SureTorque ST-H01 Series Cap Torque Analyzers are designed to measure application and removal torque of bottle caps up to 50 lbFin [5.65 Nm]. Adjustable posts effectively grip a broad range of container shapes and sizes, while optional flat and adjustable jaws are available for unique profiles. A rugged aluminum design, and simple, intuitive operation allow for use in laboratory and production environments.

Class-leading accuracy of $\pm 0.3\%$ and blazingly fast sampling rate of 7,000 Hz ensure reliable and consistent test results, even in quick-action applications.

The ST-H01 Series includes a range of sophisticated productivity-enhancing features, including USB, RS-232, Mitutoyo, and analog outputs, automatic data output and zeroing upon cap removal, memory storage for 1,000 readings, pass/fail indicators and outputs, and more. Password protection is provided to prevent unauthorized changes to settings and calibration.

The ST-H01 Series analyzer include MESUR™ Lite data acquisition software. MESUR™ Lite tabulates continuous or single point data. Data stored in the unit's memory can also be downloaded in bulk. One-click export to Excel allows for further data manipulation.



MESUR Lite data acquisition software is included with ST-H01 Series testers

Features

- High-speed 7,000 Hz sampling rate accurately captures peak torque values
- First / second peak detection mode for measuring thread break and bridge peak when testing closures with tamper evident band
- Moveable posts and other available gripping options accommodate a wide range of sample shapes and sizes
- USB, RS-232, Mitutoyo, and analog outputs
- Automatic output, data storage, and zeroing upon bottle cap removal helps automate testing processes
- 1,000-point data memory with statistics and outputs
- Programmable set point indicators and outputs for pass/fail determination
- Password protection prevents unauthorized changes
- MESUR™ Lite data collection software included

Controls & Indicators

Set points

Current or peak reading

Set point (pass/fail) indicators

Battery indicator

Memory storage for 1000 readings (auto-save also possible)

Access the tester's settings menu via an easy-to-use interface

One-push data output to a PC, printer, or other device (auto-output also possible)

Clockwise/counter-clockwise indicator

Peak readings (CW/CCW or 1st/2nd peaks) peaks

Measurement mode

Unit of measurement

Analog load bar w/set point markers

Zero the reading to begin a new test (auto-zero also possible)

Toggle between real time, peak, and 1st peak/2nd peak display modes

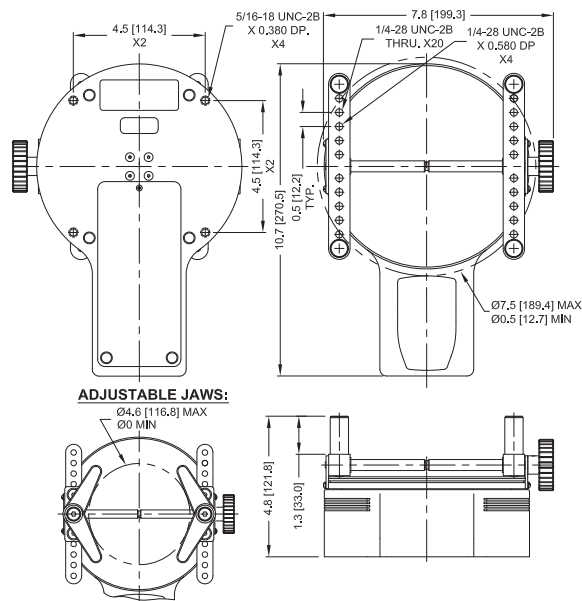
SureTorque ST-H01 Series

Specifications

	ST-H01-25	ST-H01-50
Accuracy:	±0.3% of full scale	
Capacity x Resolution:	25 x 0.01 lbFin, 400 x 0.2 ozFin, 28 x 0.02 kgFcm, 290 x 0.2 Ncm, 2.9 x 0.002 Nm	50 x 0.01 lbFin, 400 x 0.2 ozFin, 28 x 0.02 kgFcm, 290 x 0.2 Ncm, 2.9 x 0.002 Nm
Sampling Rate:	7,000 Hz	
Power:	AC or rechargeable battery. Multi-step low battery indicator is displayed, tester shuts off automatically when power is too low.	
Battery Life:	Backlight on: up to 7 hours of continuous use Backlight off: up to 24 hours of continuous use	
Units:	ozFin, lbFin, kgFcm, Nm, Ncm	
Outputs:	USB / RS-232: Configurable up to 115,200 baud. Mitutoyo: Serial BCD suitable for all Mitutoyo SPC-compatible devices. Analog: ±1 VCD, ±0.25% of full scale at capacity. General purpose: Three open drain outputs, one input. Set points: Three open drain lines.	
Safe Overload:	150% of full scale (display shows "OVER" at 110% and above)	
Weight:	8.4 lb [3.8 kg]	
Additional Included Items:	Power supply, documentation CD including data acquisition software, short & long clamping posts	
Environmental requirements:	40 - 100°F, max. 96% humidity, non-condensating	

Included with each pro kit: ST-H01-25 manual torque tester (25lbfm capacity), power supply, documentation CD including data acquisition software, short & long clamping posts and v clamp set. Heavy duty carrying case. Calibration kit with certified weights included.

Dimensions in [mm]



Carrying case

Provides storage space for the ST-H01 Series analyzer, gripping jaws, certified weights, AC adapter, and accessories.



Adjustable jaws

Rubber-edged arms may be independently repositioned to accommodate unique samples.



2 sets of posts
Standard - 2.5"
Extended length - 4"

Calibration kit

Complete set of brackets, cable, and hardware for calibration of any ST-H01 Series torque analyzer. NIST-traceable weights included: 7.5 lb, 5 lb, 2 lb, 0.5 lb.

