

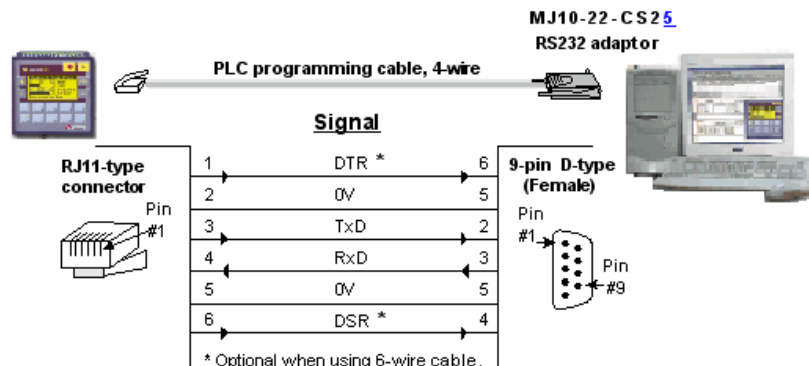



DOWNLOADING NEW FIRMWARE TO PLC

The download process compiles/builds and transfers the ladder logic project file from the PC to the controller.

To download a project to a controller:

1. Download the free PLC programming software.
Link: <http://www.unitronics.com/Content.aspx?page=Downloads>
If there is a software version mismatch, download the correct version and use the version swapper utility before opening and downloading the ladder logic file.
2. Open the supplied ladder logic file.
3. Connect the controller to the PC with the MJ10-22-CS25 programming (communication) cable.



4. Click **Download**  on the Standard toolbar, or select an option from the Connection>Download menu.
5. The download process begins.



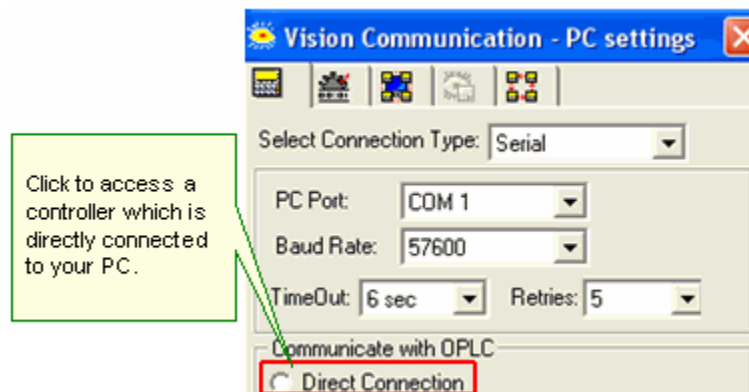
MesaLabs

If Operating System (OS) update is required, follow the steps below before the project download process:

You can download an Operating System, or OS, via a direct PC-PLC connection. In many cases, you must update the controller's OS before you can take advantage of newly released Vision and VisiLogic features.

To download an OS via a direct PC-PLC connection:

1. Connect the controller to the PC with the MJ10-22-CS25 programming (communication) cable.
Note: The controller's COM Port 1 must be directly connected to the PC via the programming cable. Only COM Port 1 can be used to download an OS. Direct Connection must be selected in "Communicate with OPLC field".



2. Open Connection>Communication & OS, and then click the fourth tab to open Install Operating System.
3. Click Check to enable VisiLogic to establish communications with the PLC and check the version of the OS currently installed in the PLC; after the check is complete, VisiLogic displays the OS version currently installed in the PLC as shown below.
4. To install the OS, click Download; OS installation begins.
5. If you are connected to a Vision Color Series model such as the V570, a wizard opens and guides you through the steps.
Note that the Advanced button enables you to download separate OS sections; this feature is intended for use by advanced users only.



MesaLabs

Notes:

- By default, OS version shows the most recent OS version released with your version of VisiLogic. To check if more recent OS versions are available, run [Live Update from the Web](#). Note that Live update does not install the new operating system, which must be installed as described above.
- You can also install an older OS version by selecting an OS version via the drop-down arrow, and then clicking Download.
- System Fonts are used by the controller to show system messages that are not part of your program, such as a message that the controller is in Stop Mode. These fonts are part of the OS, and do not need to be downloaded separately.
- The first number in the OS number is the main version number, followed by the sub-version and Build number.

